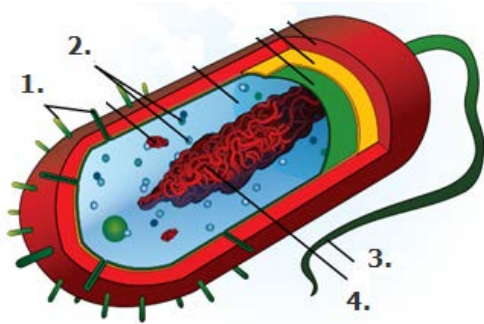


Cell Structure/Function Assessment

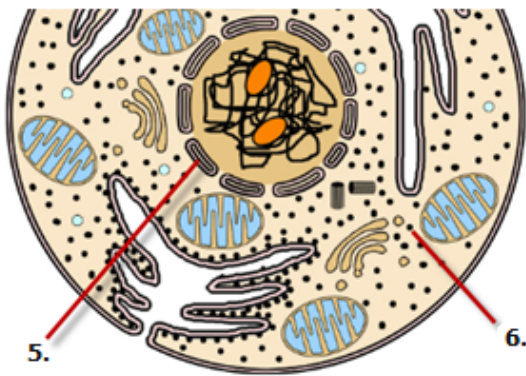
For cells I-III identify the labeled structure.

I



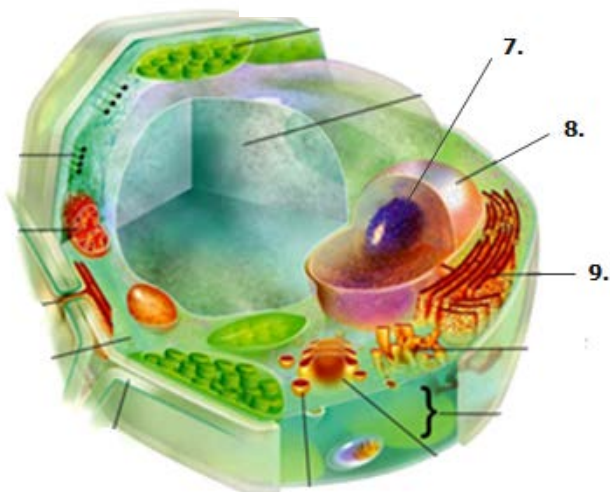
- 1. _____
- 2. _____
- 3. _____
- 4. _____

II



- 5. _____
- 6. _____

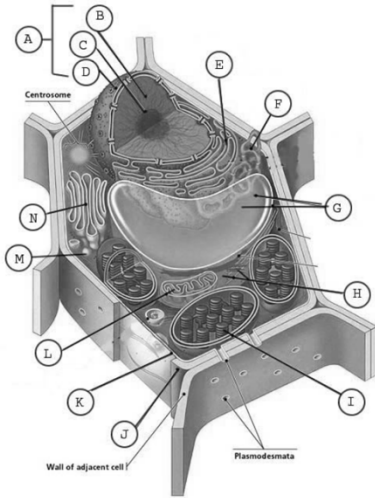
III



- 7. _____
- 8. _____
- 9. _____

Cell Structure/Function Assessment

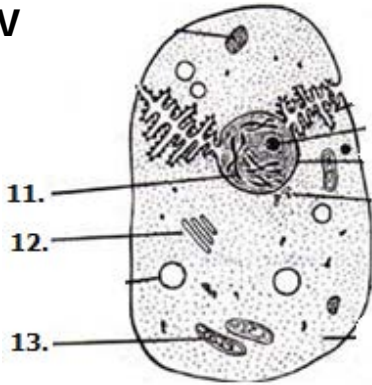
IV



10. Which of the structures in cell IV are in plant cells only?

For cells V-VI identify the function of the labeled structure.

V

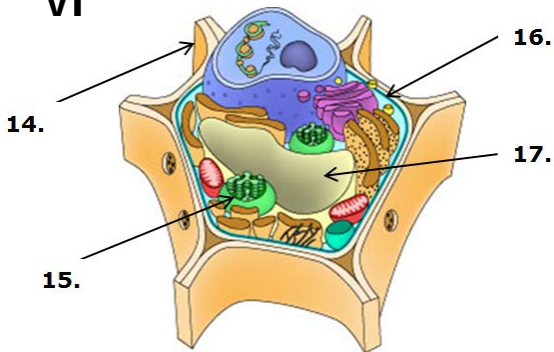


11. _____

12. _____

13. _____

VI



14. _____

15. _____

16. _____

17. _____

18. Which of the cells (I, II, III, IV, V, or VI) are prokaryotic? _____

Which are eukaryotic? _____